

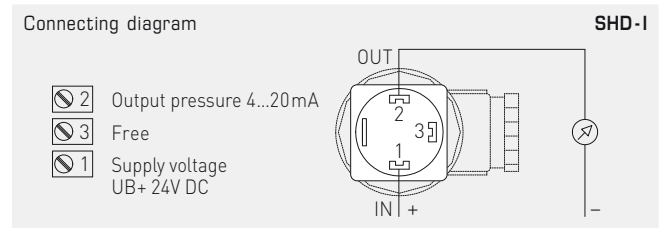
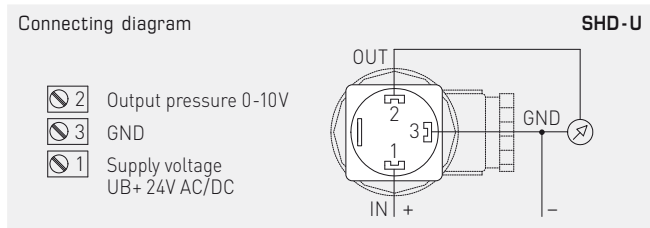
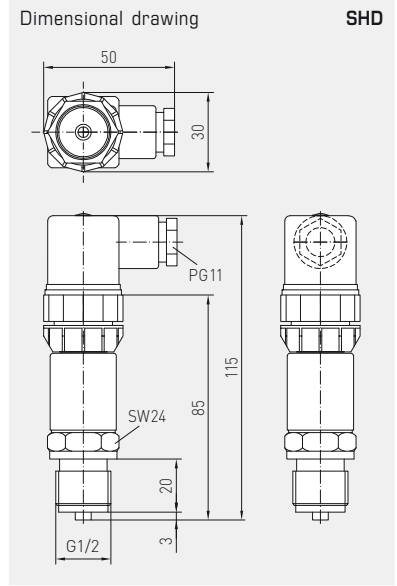


SHD

The pressure measuring transducer **PREMASGARD® SHD** measures relative pressures in the bar range. It converts the measured pressure into standard signals of 0-10V or 4...20mA. Process connection is G 1/2" straight external pipe thread. SHD is used for pressure measurement in gaseous and liquid media. Applications of this pressure transmitter are in hydraulics, pneumatics, process technology, in mechanical and plant engineering. The pressure measuring cell is gasketless welded together with the pressure pick-up.



TECHNICAL DATA	
Power supply:	24 V AC / DC for output 0 -10 V 7 -33 V DC for output 4 ... 20 mA
Measuring ranges:	see table (other ranges upon request)
Output signal:	0-10V, 3-wire, (working resistance > 10 kOhm) or 4... 20mA, 2-wire, (working resistance < (UB (V) -7V) / 0.02 A; R _L depending on working resistance
Electrical connection:	plug connector DIN EN 175301-803-A
Pressure connection:	G 1/2" sealing at the back, and manometer (combined) with profile gasket FPM, special WW G 1/4" DIN 3852
Type of pressure:	relative
Measuring principle:	steel measuring cell
Temperature of medium:	-40...+135 °C
Mounting:	directly on pressure line
Enclosure:	stainless steel 1.4305
Connecting head:	plastic, approx. 98 x 50 x 34 mm
Medium contacting parts:	stainless steel 1.4305
Response time:	2 ms (1 ms typical)
Characteristic line:	± 0.3%
Overload range:	< 6 bar: 5 x of final value > 6 bar: 3 x of final value (max. 1500 bar)
Bursting pressure:	< 6 bar: 10 x of final value > 6 bar: 6 x of final value (max. 2500 bar)
Protection class:	III (according to EN 60 730)
Protection type:	IP 65 (according to EN 60 529)
Standards:	CE conformity, electromagnetic compatibility according to EN 61 326, EMC directive 2014 / 30 / EU
Optional:	Display module , additional height: approx. 50 mm, for displaying the pressure
ACCESSORIES	incl. receptacle DIN EN 175301-803-A



PREMASGARD® SHD – Pressure measuring transducers, *Premium*

Type / WG01	Measuring Range	Item No.	Price	Type / WG01	Measuring Range	Item No.	Price
SHD-U		U-variant		SHD-I		I-variant	
SHD-U 1	0...1 bar	1301-2111-0520-220	180,93 €	SHD-I 1	0...1 bar	1301-2112-0520-120	180,93 €
SHD-U 2,5	0...2.5 bar	1301-2111-0530-220	180,93 €	SHD-I 2,5	0...2.5 bar	1301-2112-0530-120	180,93 €
SHD-U 6	0...6 bar	1301-2111-0550-220	130,99 €	SHD-I 6	0...6 bar	1301-2112-0550-120	130,99 €
SHD-U 10	0...10 bar	1301-2111-0560-220	130,99 €	SHD-I 10	0...10 bar	1301-2112-0560-120	130,99 €
SHD-U 16	0...16 bar	1301-2111-0570-220	130,99 €	SHD-I 16	0...16 bar	1301-2112-0570-120	130,99 €
SHD-U 25	0...25 bar	1301-2111-0580-220	180,93 €	SHD-I 25	0...25 bar	1301-2112-0580-120	180,93 €
SHD-U 40	0...40 bar	1301-2111-0590-220	180,93 €	SHD-I 40	0...40 bar	1301-2112-0590-120	180,93 €